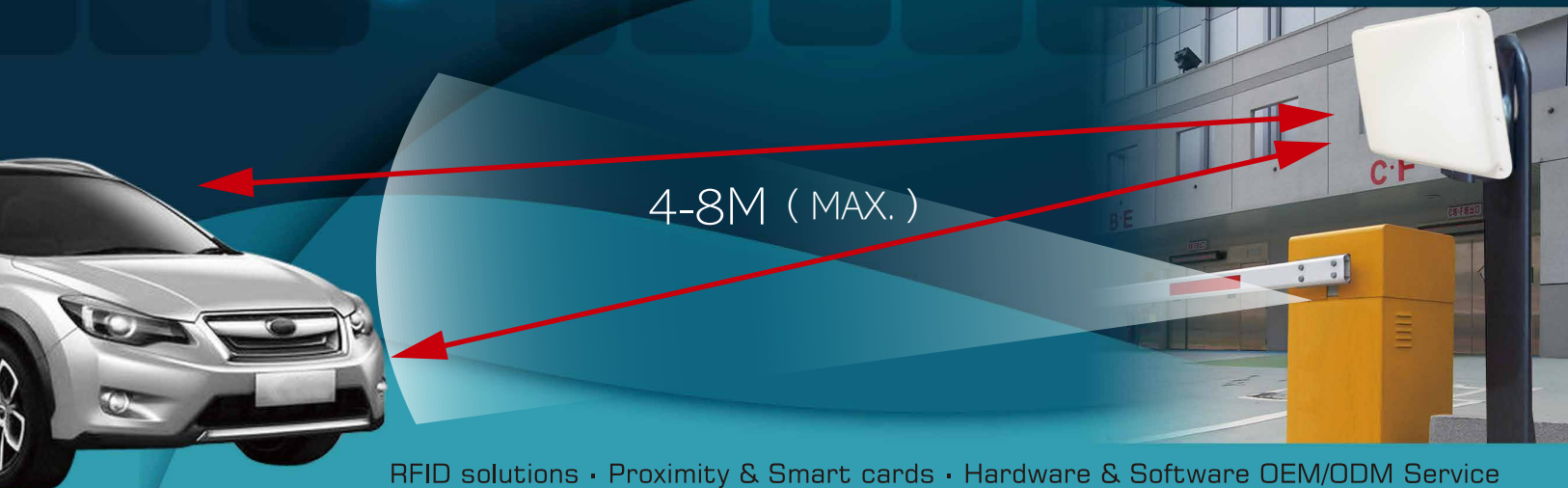


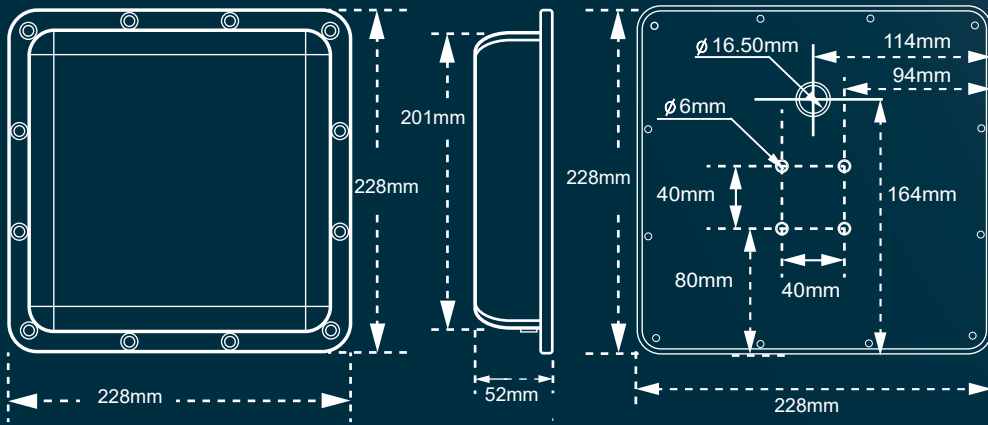
# AR-661UG (Adjustable between 860-960MHz by order) Stationary UHF RFID Reader



Ideal for outdoor applications  
Standard Wiegand Interface to controller  
Cost-effective UHF long read range passive tags  
Compatible with all standard Access Control Systems



## Dimensions (mm)



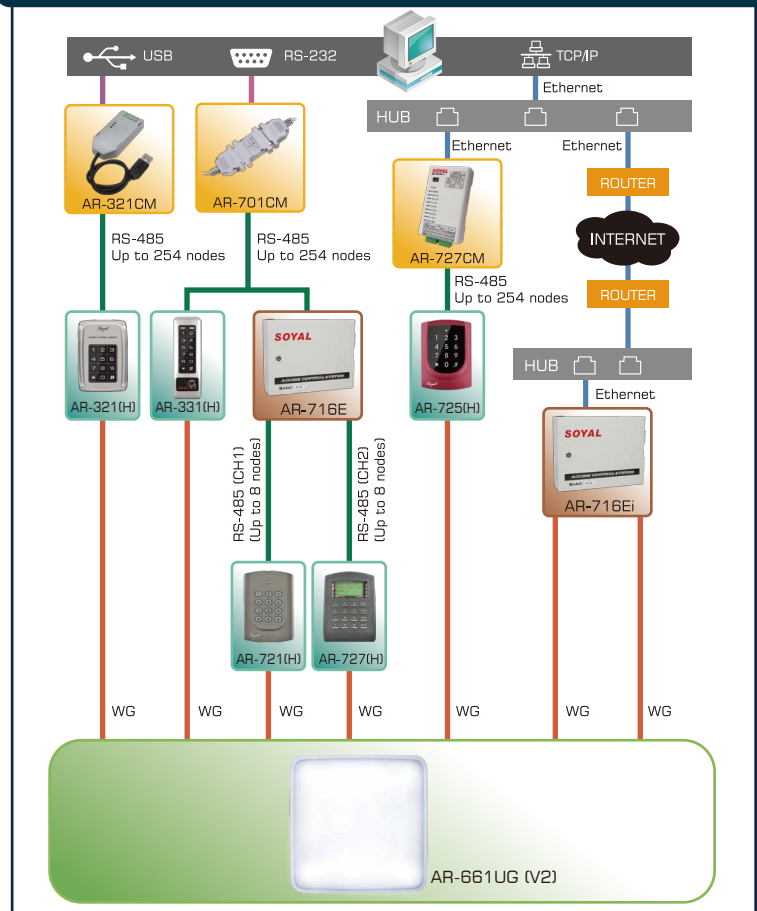
## Application: Parking Management



## Specification

Frequency	860 to 960 MHz (Optional to comply with each country's standard)	
Standard	ISO 18000-6C	
Supported Tags	All H3 chip tags can be used Vehicle tags and Hand-held tags	
Reading Range	4-8M (MAX)	
Power Supply	12 VDC	
Power Consumption	1.5A	
Communication Interface	Wiegand and RS-485	
Code Formats	(Standard) Wiegand : 34 (Optional) RS-485: 96 bits TID +96 bits EPC ID	
Temperature	Operating	-20°C to +55°C
	Storage	-20°C to +85°C
Humidity	0% - 95% non-condensing	
Indicator	1 Bi-Color LED	
Protection Standard	IP65	
Color	White	
Dimensions (mm)	Net: 228(L)X228(W)X52(H) Box: 290(L)X315(W)X105(H)	
Weight (g)	1600±20 (G.W.) / 940±10 (N.W.)	
Housing Material	ABS; aluminum back-plate, Ivory	
Cable Suggestion	Power	Power Jack D.O.55*D.I.20*11(L)mm
	Data	22 AWG
Avoiding Interference	Optimize reader performance by avoiding sources of RF – fluorescent and other arc lighting, UHF transmitters, other readers.	
Antenna Connection	50 ohm U.FL.	

## Structure



## Tag (Label)

Model NO.	AR-TAGT99	AR-TAGC18
Description	922-928kHz UHF Label(One-Off)/Card, R/W only, Waterproof, w/ RoHS (Other range of UHF lable is by order)	
Dimensions (mm)	100(L)X25(W)	86(L)X57(W)X1(W)
Picture		